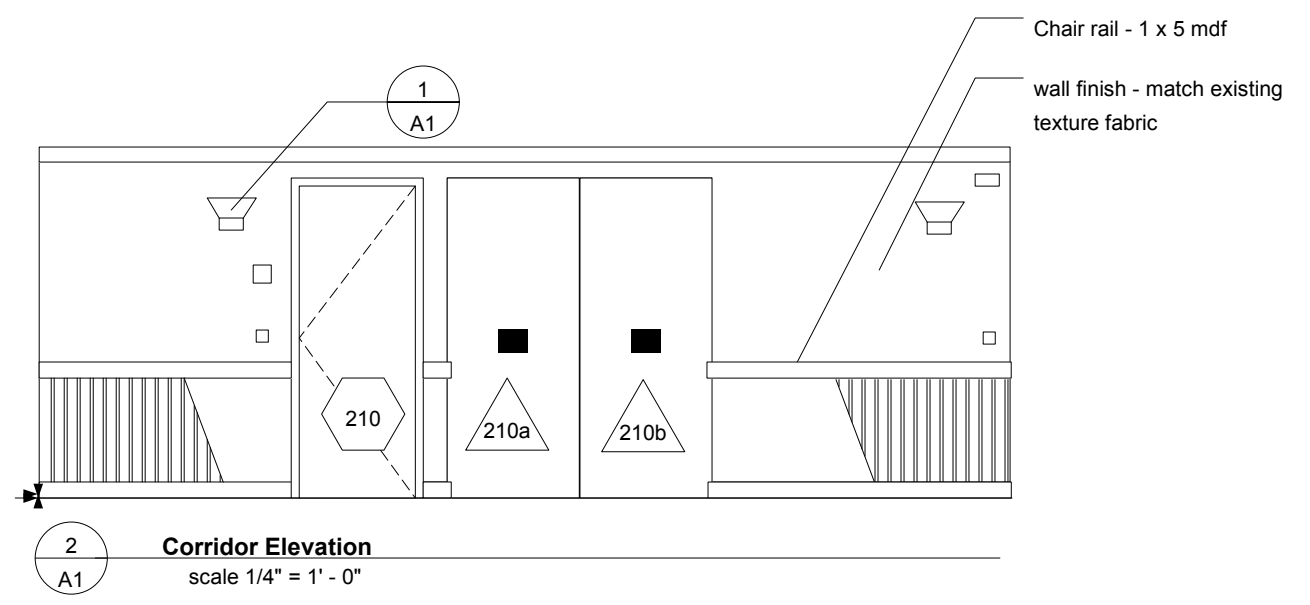
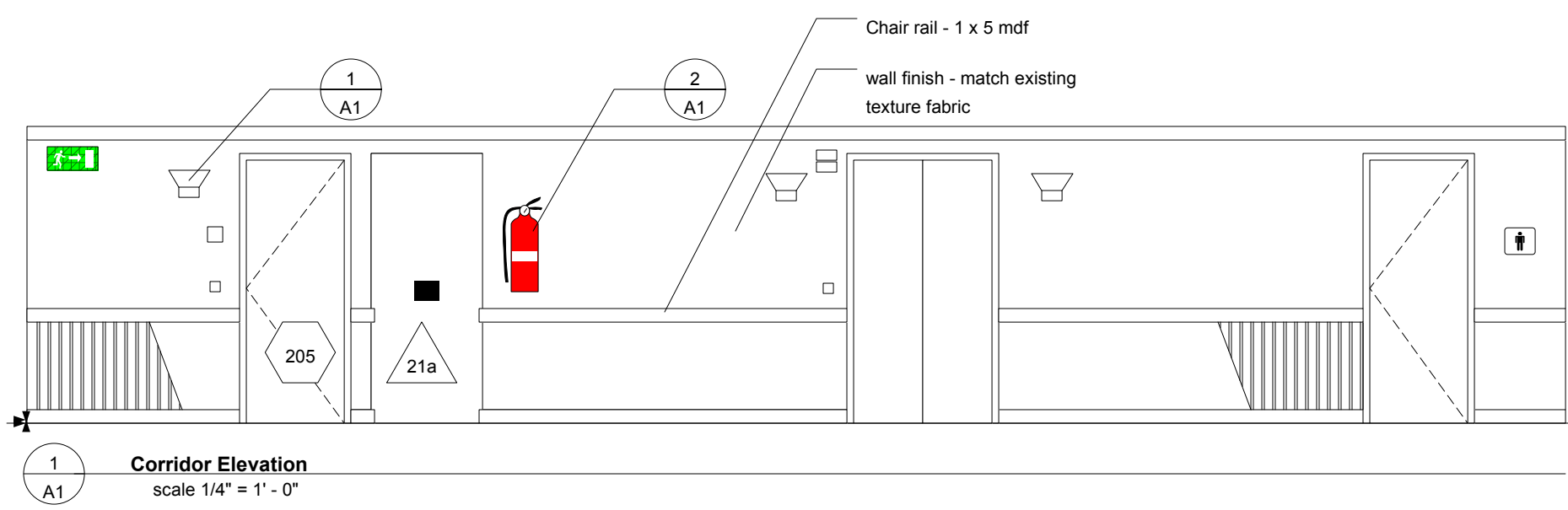
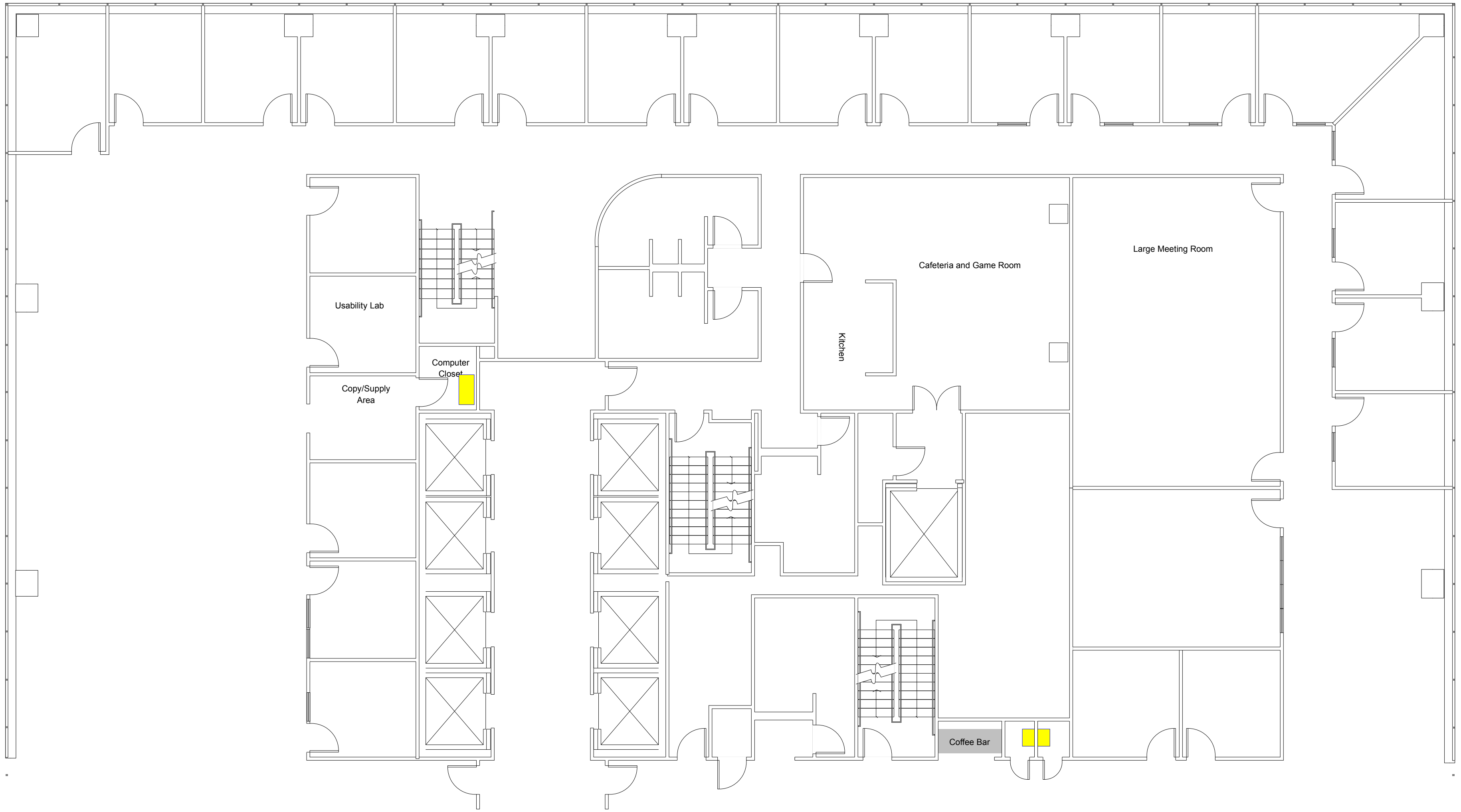


Available Units 8/31/95
Cubicles 14 Less 4 NTT & 5 Temps (Net 5)
Office Interior 6 Less 1 NTT & 1 International (Net 4)
Office Exterior 1



Wall Elevations
18th Floor



Available Units	8/31/95
Cubicles	14 Less 4 NTT & 5 Temps (Net 5)
Office Interior	6 Less 1 NTT & 1 International (Net 4)
Office Exterior	1